

HR 60

TECHNOLOGY FOR A SUSTAINABLE TOMORROW



Shredding



APPLICATION

For re-shredding waste products previously processed in the timber industry, such as log end pieces, demolition waste, etc. The wood chips produced are used as fuel in heating installations in order to generate process heat.

Vecoplan[®]

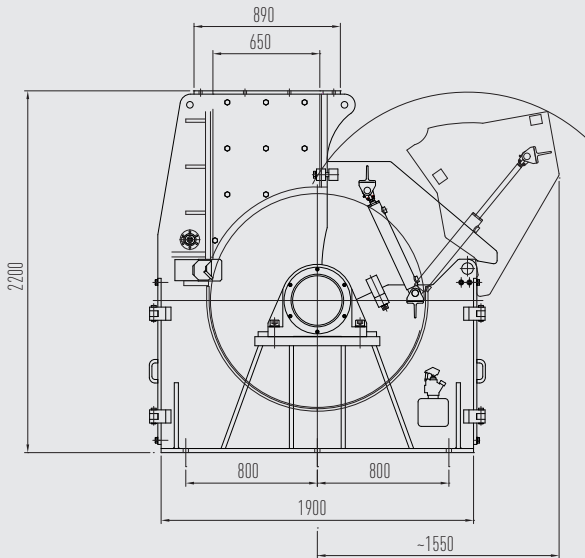
HR 60

TECHNOLOGY FOR A SUSTAINABLE TOMORROW

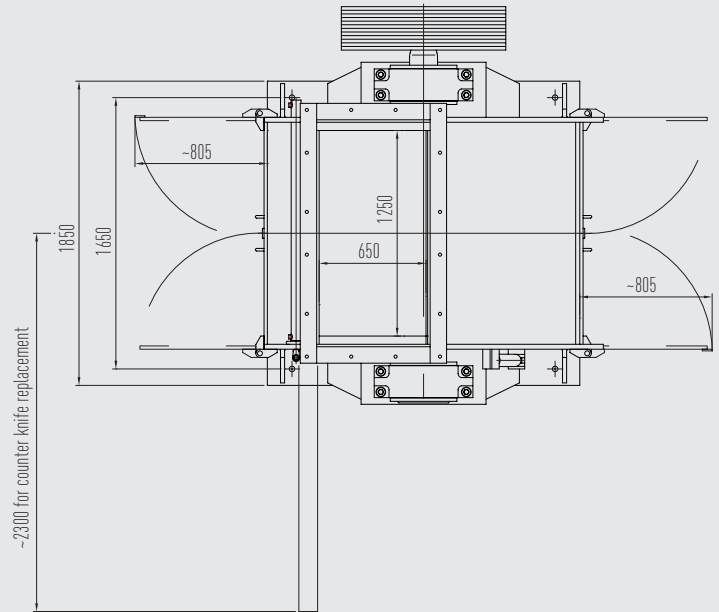


Shredding

Side view



Plan view



DETAILS

		HR 125/60
Infeed opening	mm	1250 x 600
Rotor diameter	mm	1300
Number of chipping knives	qty	2 - 4
Rotor speed	rpm	450 - 750
Chipping length	mm	5 - 50 *
Required motor power	kW	160 - 315
Max. capacity	stere/h	90 *
Weight approx.	kgs	11500

Subject to technical changes without notice / Dated: 01/2010

* Depending on input material and screen perforation

Also available as SR and RHR versions.