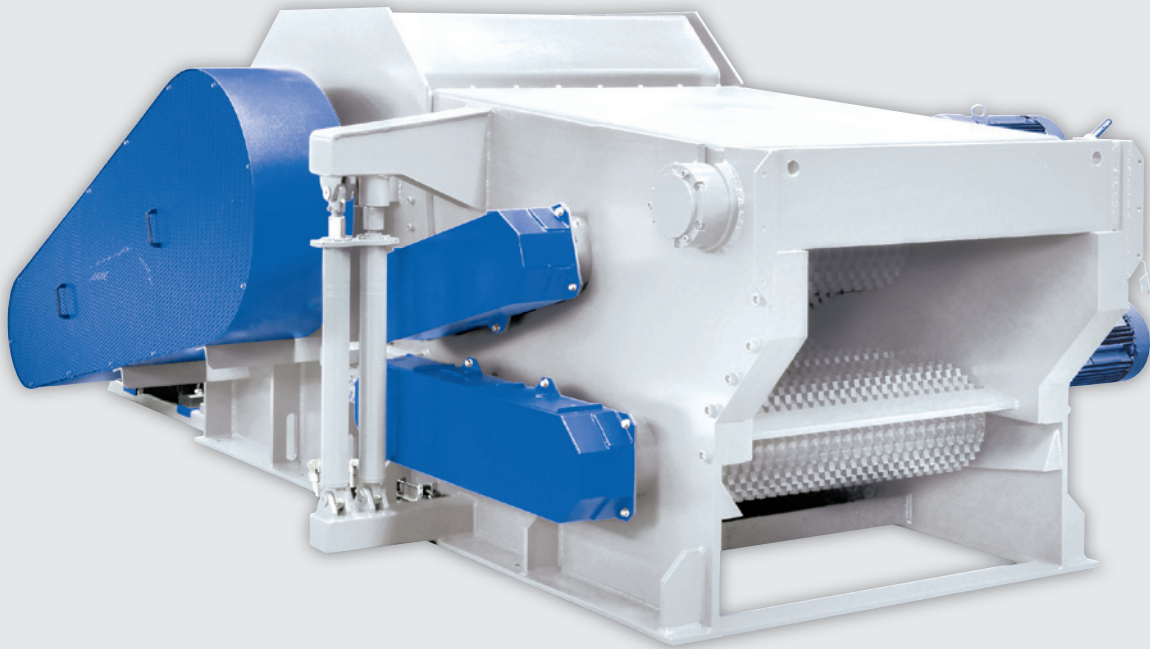


VTH 30

TECHNOLOGY FOR A SUSTAINABLE TOMORROW



Shredding



APPLICATION

For use in sawmills, chipboard and paper industry for the generation of high quality wood chips, and in medium-sized biomass power plants for the production of energy wood chips for thermal recovery.

Vecoplan[®]

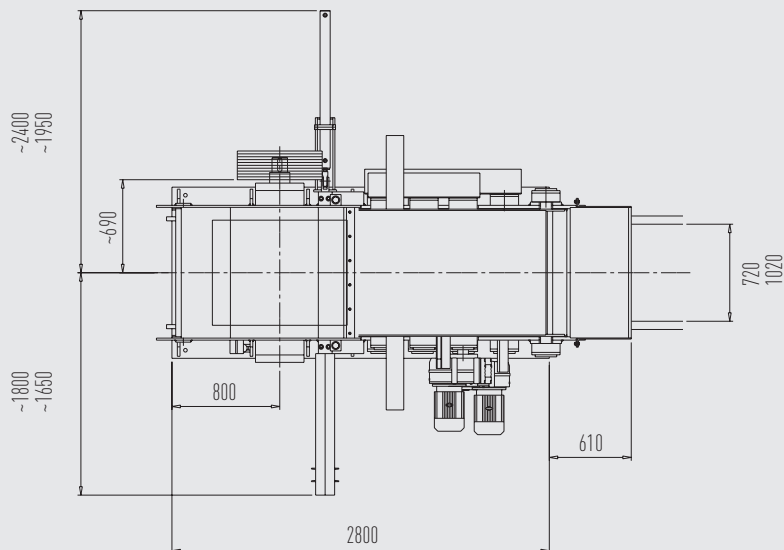
VTH 30

TECHNOLOGY FOR A SUSTAINABLE TOMORROW

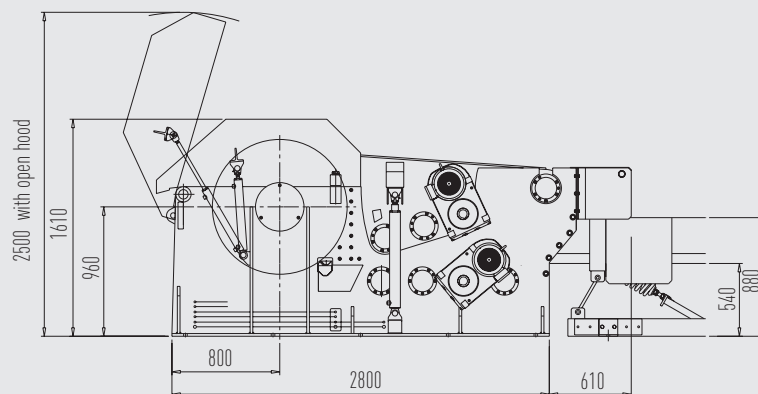


Shredding

Plan view



Side view



DETAILS

		VTH 75/30/7	VTH 105/30/7
Infeed opening	mm	750 x 300	1050 x 300
Infeed rollers	qty	7	7
Rotor diameter	mm	1000	1000
Number of tools	qty	2 - 4	2 - 4
Rotor speed	rpm	600	600
Chipping length	mm	5 - 30	5 - 30
Required motor power	kW	110 - 200	132 - 250
Capacity	stere/h	16 - 45 *	16 - 65 *
Weight approx.	kgs	10000	13000

Subject to technical changes without notice / Detailed dimension drawings and load data available on request / Dated: 04/2012

* Depending on input material and chipping length