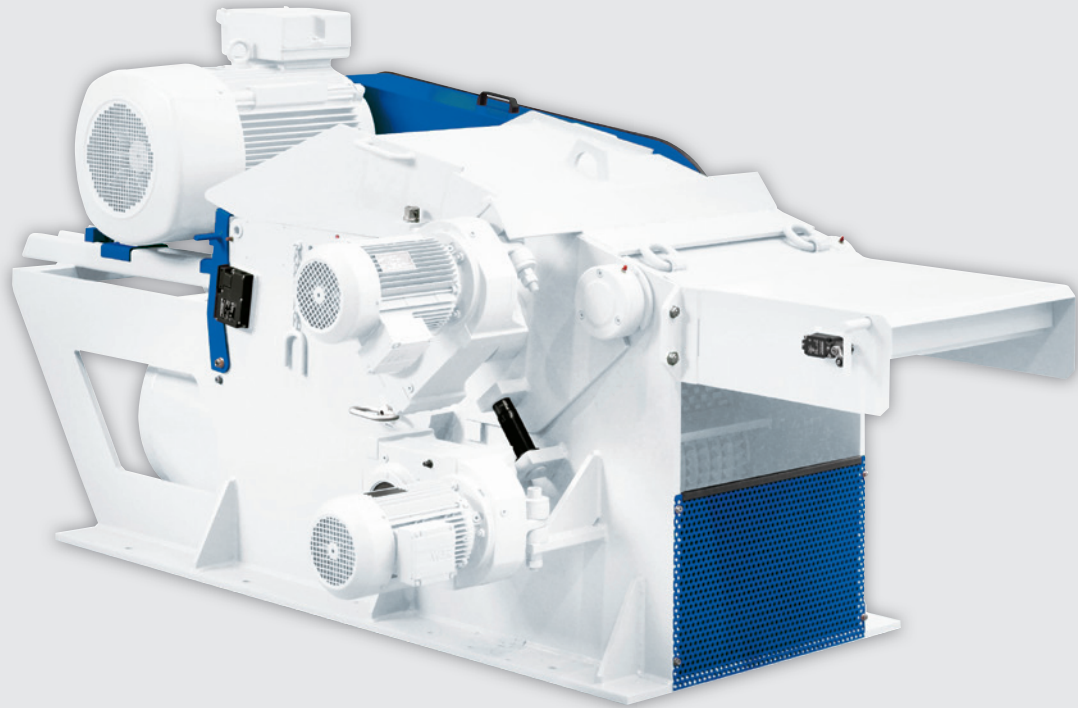


# VTH 15

TECHNOLOGY FOR A SUSTAINABLE TOMORROW



Shredding



## APPLICATION

For the production of high quality wood chips made from short or long pieces of waste wood from the timber sizing and wood processing industry.

**Vecoplan**<sup>®</sup>

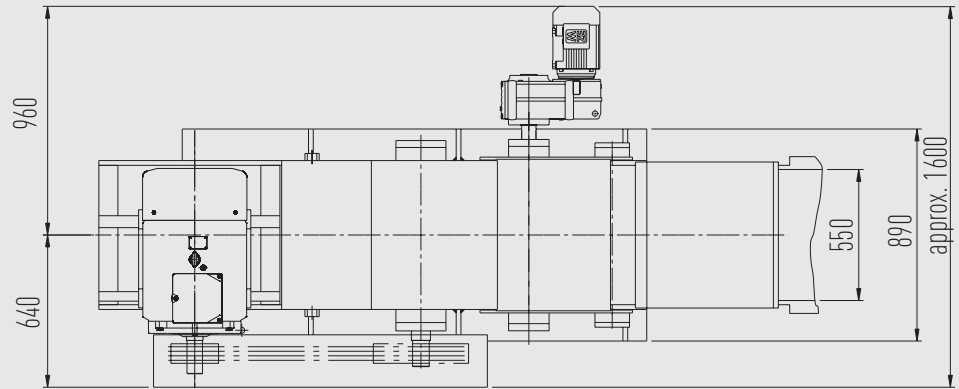
# VTH 15

TECHNOLOGY FOR A SUSTAINABLE TOMORROW

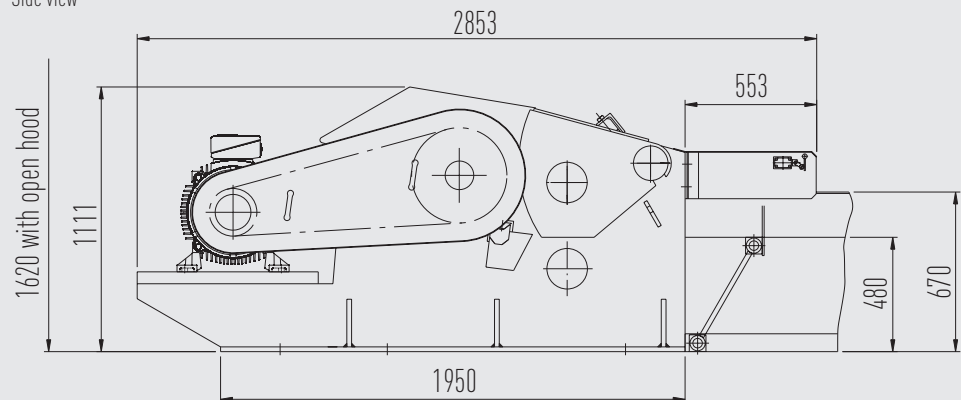


Shredding

Plan view



Side view



## DETAILS

		VTH 55/15/2
Infeed opening	mm	550 x 150
Infeed rollers	qty	2
Rotor diameter	mm	500
Number of tools	qty	2 - 4
Rotor speed	rpm	600 - 980
Chipping length	mm	3 - 30
Required motor power	kW	37 - 75
Max. capacity	stere/h	16 *
Weight approx.	kgs	3200

Subject to technical changes without notice / Detailed dimension drawings and load data available on request / Dated: 04/2012  
Also available with cutting crown rotor.

\* Depending on input material and chipping length